

HOOSIER WHEEL

Products & Services

Custom wheel assemblies—
**built to spec,
made to last.**

1927 to 1996
2066 to 2011



PNEUMATIC • SEMI-PNEUMATIC • PLASTIC • SOLID • FLAT FREE

TABLE OF CONTENTS

Pneumatic	3
Turf Tech	3
Turf	4
NEW Flex Turf	5
Super Turf	6
Chevron Bar	6
Zag Turf.....	6
Smooth.....	7
Rib	7
Flat Free	8
Hollowmatic	8
Urethane	8
Sawtooth	9
Stud	9
Wheelbarrow Rib	9
Snow	10
Directional Snow	10
Tractor	11
Dimpled Knobby	11
Turf Traxx.....	11
Golf Cart Sawtooth	12
Custom Tread Designs	12
Tread Caps	13
Semi-Pneumatic	13
Plastic.....	13
Semi-Pneumatic & Solid	14
Deck Wheels	14
Agricultural	15
Wheel Component Options	16
How to Order	17
Custom Wheel Assembly Gallery	18
Pneumatic Wheel Diagrams	19
Semi-Pneumatic Wheel Diagrams	20



Since 1967, Hoosier Wheel has provided quality pneumatic and semi-pneumatic wheel assemblies to some of the world's leading OE manufacturers. Over the years we have grown and expanded our engineering and production capabilities to offer a variety of wheel assemblies to meet almost any need. Only one thing hasn't changed: our commitment to superior quality.

Custom wheel assemblies—
built to spec,
made to last.

Our partnerships with multiple international tire sources allow us the flexibility to provide you the perfect tire and tread for any application. We will never relent in our pursuit of perfection and commitment to quality. Our promise to you is to manufacture a superior quality product, to your specifications, and deliver it on time. You have our word.



Call today - let's get rolling.
1.877.206.4762

Over 4000 different wheel configurations, and counting. The possibilities are endless.

Pneumatic, semi-pneumatic, plastic, flat-free, or solid, Hoosier Wheel makes them all. Just give us your specs and our team will go to work. If you're not certain what you need, call us and we'll discuss the application, your requirements, and help you find the perfect solution.



Industrial	Agriculture	Lawn & Garden
		
<ul style="list-style-type: none"> Floor Cleaning Equipment Industrial Carts Wheelbarrows Generators Pressure Washers Hand Trucks and more! 	<ul style="list-style-type: none"> Planters Seeders Grain Drills Cultivators Grain Augers Hay Rakes and more! 	<ul style="list-style-type: none"> Riding Mowers Zero-Turn Mowers Greens & Fairway Mowers Walk-Behind Mowers Snow Throwers Lawn Carts Aerators Tillers and more!

A QUALITY promise.

Hoosier Wheel promises to manufacture competitively priced products that meet or exceed our customers' requirements for quality and delivery.

Hoosier Wheel's multiple production facilities use only the finest raw materials and manufacture each wheel assembly to strict quality standards, as evidenced by our ISO 9001:2008 registration.



Don't see what you're looking for? Give us a call at 1.877.206.4762. We can engineer and manufacture a custom wheel assembly just for you.

Tubes can be installed into any pneumatic wheel assembly.

PNEUMATIC

Turf Tech

Size	Ply	Mounted Diameter	Mounted Width	Max Load @ 10 MPH	Max PSI
11 x 4.00 - 5	2	10.8	4.0	210	22
	4	10.8	4.0	325	46
13 x 5.00 - 6	2	12.7	4.7	295	20
	4	12.7	4.7	440	40
15 x 6.00 - 6	2	14.5	6.2	365	14
	4	14.5	6.2	573	30
16 x 6.50 - 8	2	15.8	6.4	415	14
	4	15.8	6.4	635	28
16 x 7.50 - 8	4	16.1	7.0	716	24
18 x 6.00 - 8	2	17.9	5.9	485	14
	4	17.9	5.9	760	30
18 x 7.50 - 8	2	17.8	7.2	580	14
	4	17.8	7.2	805	24
18 x 7.50 - 10	4	17.9	7.4	770	24
18 x 8.50 - 8	4	17.7	8.5	815	22
18 x 9.50 - 8	2	18.3	9.2	695	12
	4	18.3	9.2	1040	24
18 x 9.50 - 10	4	18.0	9.3	780	22
20 x 8.00 - 8	2	20.0	8.0	600	10
	4	20.0	8.0	965	22
20 x 8.00 - 10	4	19.8	8.1	895	24
20 x 10.00 - 8	4	19.6	10.0	1190	22
20 x 10.00 - 10	4	20.2	9.3	1165	22
20 x 12.00 - 10	4	19.6	11.7	1320	20
21 x 7.00 - 10	4	21.0	7.0	990	26
22 x 9.50 - 12	4	22.0	9.0	1305	24
22 x 10.00 - 10	4	22.3	9.7	1680	22
22 x 10.00 - 12	4	22.3	9.7	1395	22
22 x 11.00 - 10	4	21.3	10.8	1380	20
22 x 11.00 - 12	4	21.3	10.8	1415	22
23 x 8.50 - 12	4	22.5	8.5	1110	22
23 x 9.50 - 12	4	22.9	9.6	1230	20
23 x 10.50 - 12	4	22.7	10.1	1340	20
24 x 12.00 - 10	4	24.0	12.0	1600	20
24 x 12.00 - 12	4	24.0	12.0	1709	20
26 x 12.00 - 12	4	25.5	12.1	1785	22
26 x 14.00 - 12	4	26.0	13.5	2030	18
32 x 16.00 - 15	10	32.0	15.5	6000	65

ALL TIRES ARE NON-HIGHWAY SERVICE (NHS) UNLESS SPECIFIED OTHERWISE.



NEED FLATPROOFING?
Tire Sealant or Polyurethane
Foam Fill can be added
to any pneumatic tire.

Custom wheel assemblies—

**built to spec,
made to last.**

Don't see what you're looking for? Give us a call at 1.877.206.4762.
We can engineer and manufacture a custom wheel assembly just for you.

PNEUMATIC

Turf



Size	Ply	Mounted Diameter	Mounted Width	Max Load @ 10 MPH	Max PSI
8 x 3.00 - 4	4	8.1	2.7	125	30
9 x 3.50 - 4	2	8.9	3.5	158	30
	4	9.1	3.6	231	50
4.10 x 3.50 - 4	2	10.2	3.7	230	24
	4	10.2	3.7	350	50
11 x 4.00 - 4	2	11.2	4.1	212	22
	4	11.2	4.1	330	46
11 x 4.00 - 5	2	10.5	3.9	220	30
	4	10.5	3.9	326	46
13 x 5.00 - 6	2	12.7	4.5	295	20
	4	12.7	4.5	440	40
13 x 6.50 - 6	2	12.8	6.3	305	14
	4	13.1	6.3	460	28
15 x 6.00 - 6	2	14.4	6.1	365	14
	4	14.7	6.1	571	30
16 x 6.50 - 8	2	16.1	6.5	415	14
	4	16.2	6.3	615	28
4.80 x 4.00 - 8	2	16.1	4.7	434	35
18 x 6.50 - 8	2	18.0	6.4	518	14
	4	18.3	6.4	771	22
18 x 8.50 - 8	2	18.1	8.7	518	10
	4	18.1	8.7	815	22
	6	18.5	8.9	1047	34
18 x 9.50 - 8	2	18.3	9.3	695	12
	4	18.9	9.2	830	24
	6	19.0	9.3	1055	36
20 x 8.00 - 8	2	19.5	9.0	560	10
	4	19.5	8.9	945	22
20 x 8.00 - 10	2	19.7	8.2	595	12
	4	19.8	8.0	890	24
20 x 10.00 - 8	2	20.5	10.2	750	10
	4	20.6	10.2	1190	22
20 x 10.00 - 10	2	20.1	8.9	735	10
	4	20.2	9.6	1165	22
23 x 8.50 - 12	2	23.0	8.6	705	10
	4	23.3	8.6	1125	22
	6	23.4	8.7	1444	34
23 x 10.50 - 12	2	22.7	10.4	890	10
	4	22.9	10.3	1345	20
26 x 12.00 - 12	4	25.5	12.0	1780	20

ALL TIRES ARE NON-HIGHWAY SERVICE (NHS) UNLESS SPECIFIED OTHERWISE.



EXCEPTIONAL TURF PERFORMANCE

Turf tires must strike a delicate balance between performance and turf friendliness. Hoosier Wheel has developed a number of tire tread and profile combinations to achieve maximum performance and traction while minimizing turf damage. Is your equipment ready for a new aggressive look? Our new FLEX TURF line was designed with the professional user in mind. These tires combine a durable rubber compound, deep tread, and flat profile to achieve the dependability and performance required by commercial users. The FLEX TURF is ideal for ZTRs, riding mowers, and other grounds care equipment where traction and hill-holding is a must.

NEW



PNEUMATIC

Flex Turf

Size	Ply	Mounted Diameter	Mounted Width	Max Load @ 10 MPH	Max PSI
18 x 7.50 - 8	2	17.8	7.2	580	14
	4	17.8	7.2	805	24
18 x 8.50 - 8	4	17.7	8.5	815	22
	2	18.3	9.2	695	12
18 x 9.50 - 8	4	18.3	9.2	1040	24
	2	20.0	8.0	600	10
20 x 8.00 - 8	4	20.0	8.0	965	22
	4	19.8	8.1	895	24
20 x 10.00 - 8	4	19.6	10.0	1190	22
20 x 10.00 - 10	4	20.2	9.3	1165	22
20 x 12.00 - 10	4	19.6	11.7	1320	20
22 x 9.50 - 12	4	22.0	9.0	1305	24
22 x 10.00 - 10	4	22.3	9.7	1680	22
23 x 9.50 - 12	4	22.9	9.6	1230	20
23 x 10.50 - 12	4	22.7	10.1	1340	20
24 x 12.00 - 12	4	24.0	12.0	1709	20
26 x 12.00 - 12	4	25.5	12.1	1785	22

ALL TIRES ARE NON-HIGHWAY SERVICE (NHS) UNLESS SPECIFIED OTHERWISE.

Tubes can be installed into any Pneumatic wheel assembly.

PNEUMATIC

Super Turf

Size	Ply	Mounted Diameter	Mounted Width	Max Load @ 10 MPH	Max PSI
4.10 x 3.50 - 4	2	10.6	3.7	230	24
	4	10.7	3.7	352	50
11 x 4.00 - 5	4	10.9	3.9	325	46
13 x 5.00 - 6	4	12.7	4.8	440	40
15 x 6.00 - 6	4	14.6	6.2	570	30
16 x 6.50 - 8	4	15.7	7.0	620	28
16 x 7.50 - 8	4	16.5	7.4	627	20
18 x 6.50 - 8	4	17.8	6.7	770	28
18 x 7.50 - 8	4	18.0	7.6	795	24
18 x 8.50 - 8	4	17.6	8.7	815	22
	6	17.8	8.5	1050	34
18 x 9.50 - 8	4	18.2	9.4	1040	24
	6	18.7	9.4	1320	36
18 x 9.50 - 10	4	18.0	9.3	780	22
20 x 8.50 - 8	4	19.6	8.7	947	22
20 x 10.00 - 8	4	19.7	9.8	1190	22
20 x 10.00 - 10	4	19.7	9.7	1168	22
22 x 10.00 - 10	4	22.0	10.0	1345	22
23 x 8.50 - 12	4	22.6	8.4	1120	22
	6	22.7	8.5	1445	34
23 x 9.50 - 12	4	23.6	9.7	1375	24
23 x 10.50 - 12	4	22.8	10.4	1340	22
24 x 12.00 - 12	4	23.4	11.8	1705	20
26 x 12.00 - 12	4	25.8	12.8	1185	10
	6	25.9	12.8	2350	32
	8	26.3	12.6	3050	50

NEED FLATPROOFING?
Tire Sealant or Polyurethane
Foam Fill can be added
to any pneumatic tire.

PNEUMATIC

Chevron Bar

Size	Ply	Mounted Diameter	Mounted Width	Max Load @ 10 MPH	Max PSI
22 x 11.00 - 10	4	22.2	10.8	1485	22
23 x 10.50 - 12	4	22.9	10.5	1344	20
24 x 12.00 - 12	4	24.0	12	1710	20

PNEUMATIC

Zag Turf

Size	Ply	Mounted Diameter	Mounted Width	Max Load @ 10 MPH	Max PSI
22 x 12 - 12	4	21.7	12.2	800	12
24 x 13 - 12	4	23.7	13.1	1730	18
26.5 x 14 - 12	4	26.8	14.7	2170	18
29 x 14 - 15	6	28.4	14.5	3000	30

ALL TIRES ARE NON-HIGHWAY SERVICE (NHS) UNLESS SPECIFIED OTHERWISE.

Tubes can be installed into any Pneumatic wheel assembly.

PNEUMATIC

Smooth

Size	Ply	Mounted Diameter	Mounted Width	Max Load @ 10 MPH	Max PSI
8 x 3.00 - 4	4	8.1	2.7	125	30
2.80 x 2.50 - 4	4	8.8	2.6	295	50
9 x 3.50 - 4	2	8.7	3.5	218	30
	4	8.8	3.6	225	50
4.10 x 3.50 - 4	2	10.4	3.9	230	24
	4	10.4	3.9	350	50
11 x 4.00 - 5	2	10.9	4.1	210	46
	4	11.2	4.1	331	46
11 x 6.00 - 5	4	10.5	5.0	430	29
4.10 x 3.50 - 5	4	11.4	4.0	380	50
12 x 6.00 - 6	4	12.0	5.3	425	30
4.10 x 3.50 - 6	4	12.4	4.0	445	50
13 x 5.00 - 6	4	12.8	4.8	440	40
13 x 6.50 - 6	4	12.8	5.8	460	28
18 x 9.50 - 8	2	17.7	9.0	694	12
	4	17.7	9.0	1036	24
19 x 10.50 - 8	2	19.1	10.3	776	18
22 x 12.00 - 12	4	22.2	12.0	1100	20
26.5 x 14.00 - 12	4	26.3	14.8	2170	18

NEED FLATPROOFING?
Tire Sealant or Polyurethane
Foam Fill can be added
to any pneumatic tire.

PNEUMATIC

Rib

Size	Ply	Mounted Diameter	Mounted Width	Max Load @ 10 MPH	Max PSI
4.10 x 3.50 - 4	4	10	3.5	350	50
11 x 4.00 - 5	2	10.5	3.9	210	22
	4	10.6	4.0	330	46
13 x 5.00 - 6	2	12.4	4.7	295	20
	4	12.8	4.7	440	40
13 x 6.50 - 6	2	12.7	5.8	304	14
	4	12.8	5.9	460	28
15 x 6.00 - 6	2	14.3	5.9	365	14
	4	14.4	6.0	570	30
16 x 6.50 - 8	2	16	6.8	415	14
	4	16.3	6.8	620	28
	6	16.1	6.8	720	36
18 x 8.50 - 8	2	17.2	8.2	515	16
	4	17.4	8.2	815	22
	6	17.6	8.3	1047	22
18 x 9.50 - 8	4	17.8	8.6	1040	24

ALL TIRES ARE NON-HIGHWAY SERVICE (NHS) UNLESS SPECIFIED OTHERWISE.

FLAT FREE TIRES

Do your customers require a commercial quality, flat-proof wheel? Our HOLLOWMATIC line of semi-pneumatic tires combine the dependability of an air-less tire with a cushioned ride to keep professionals up and running. HOLLOWMATIC tires are ideal for front casters on ZTRs, deck wheels on wide-area mowers, and other commercial grounds care equipment where durability is critical and downtime is a major concern. If your application requires a lighter, lower duty cycle tire option, our line of solid polyurethane tires may be the right choice. Urethane tires are ideal for walk-powered applications such as pressure washers, generators, and hand trucks where flat-proofing is desired, but the weight of a solid or semi-pneumatic rubber tire is a concern.



FLAT-FREE

Hollowmatic

Size	Mounted Diameter	Mounted Width	Tread
8 x 3.00 - 4	8.25	3.0	Rib
9 x 3.00 - 4	8.8	3.1	Rib
9 x 3.50 - 4	9.0	3.2	Smooth
10 x 3.00 - 4	10.0	3.0	Rib
11 x 4.00 - 5	11.0	4.1	Smooth
11 x 6.00 - 5	11.1	5.2	Smooth
13 x 4.00 - 6	12.6	3.9	Smooth
13 x 5.00 - 6	12.6	4.6	Rib, Smooth
13 x 5.00 - 10	13.2	4.7	Rib
13 x 6.50 - 6	12.6	5.8	Rib, Smooth
15 x 6.00 - 6	14.2	5.7	Rib, Smooth



FLAT-FREE

Urethane

Size	Tread	Mounted Diameter	Mounted Width
8 x 3.00 - 4	Smooth	7.6	3
9 x 3.50 - 4	Smooth	8.5	4
4.10 x 3.50 - 4	Rib, Smooth, Sawtooth	9.7	3.2
11 x 4.00 - 5	Rib, Turf, Smooth	10.5	4
4.10 x 3.50 - 6	Stud	12	3.5
13 x 5.00 - 6	Turf, Smooth	13	5
13 x 6.50 - 6	Smooth	12.7	6
4.00 - 8	Rib	13.4	3.5
15 x 6.00 - 6	Turf	14.5	6
4.80 x 4.00 - 8	Rib, Smooth	16	3.3
16 x 6.50 - 8	Turf	16	6.5
18 x 8.50 - 8	Rib	17.7	8.4

ALL TIRES ARE NON-HIGHWAY SERVICE (NHS) UNLESS SPECIFIED OTHERWISE.

Custom wheel assemblies—
**built to spec,
made to last.**

Don't see what you're looking for? Give us a call at 1.877.206.4762.
We can engineer and manufacture a custom wheel assembly just for you.

Tubes can be installed into any Pneumatic wheel assembly.

PNEUMATIC

Sawtooth

Size	Ply	Mounted Diameter	Mounted Width	Max Load @ 10 MPH	Max PSI
2.80 x 2.50 - 4	4	8.9	2.6	297	50
4.10 x 3.50 - 4	2	10.3	3.9	230	30
	4	10.4	3.9	350	50
3.40 x 3.00 - 5	4	10.6	3.6	380	100
4.10 x 3.50 - 5	2	11.3	3.9	260	24
	4	11.6	3.9	380	50
4.10 x 3.50 - 6	2	12.4	4.1	290	30
	4	12.6	4.1	445	50
	6	12.6	4.2	628	70
3.00 - 8	4	14.3	3.5	352	50
4.80 x 4.00 - 8	2	16.1	4.6	435	30
	4	16.5	4.6	670	50
	6	16.5	4.7	745	90

Gray non-marking tire also available in most sizes and treads.

PNEUMATIC

Stud

Size	Ply	Mounted Diameter	Mounted Width	Max Load @ 10 MPH	Max PSI
4.10 x 3.50 - 4	2	10.4	3.9	230	30
	4	10.6	3.9	350	50
4.10 x 3.50 - 5	2	11.6	3.9	260	30
	4	11.7	3.9	380	50
4.10 x 3.50 - 6	2	12.3	4	290	30
	4	12.4	4	445	50
	6	12.7	4.1	628	90
5.30 x 4.50 - 6	4	14	4.6	635	38
4.80 x 4.00 - 8	2	16.1	4.5	435	30
	4	16.3	4.6	670	50
	6	16.5	4.8	1102	90

PNEUMATIC

Wheelbarrow Rib

Size	Ply	Mounted Diameter	Mounted Width	Max Load @ 10 MPH	Max PSI
4.00 - 4	4	11.8	4.1	510	50
	6	11.7	4.2	562	60
4.00 - 6	2	13.6	4.4	350	30
	4	13.8	4.4	510	50
3.00 - 8	2	13.9	3.1	245	35
4.80 x 4.00 - 8	2	15.7	4.5	435	30
	4	15.9	4.5	670	50

ALL TIRES ARE NON-HIGHWAY SERVICE (NHS) UNLESS SPECIFIED OTHERWISE.



PNEUMATIC

Snow

Size	Ply	Mounted Diameter	Mounted Width	Max Load @ 10 MPH	Max PSI
4.10 - 4	2	11	3.7	238	24
4.10 - 6	2	12.8	4.1	287	24
13 x 5.00 - 6	2	13	4.7	298	20
15 x 5.00 - 6	2	14.6	4.8	414	20
16 x 6.50 - 8	2	16	6.5	415	14
4.80 - 8	2	16.2	4.6	441	20
18 x 9.50 - 8	2	18	9.5	693	15

NEED FLATPROOFING?
Tire Sealant or Polyurethane
Foam Fill can be added
to any pneumatic tire.

Custom wheel assemblies—
**built to spec,
made to last.**

Don't see what you're looking for? Give us a call at 1.877.206.4762.
We can engineer and manufacture a custom wheel assembly just for you.



PNEUMATIC

Directional Snow

Size	Ply	Mounted Diameter	Mounted Width	Max Load @ 10 MPH	Max PSI
13 x 4.00 - 6	2	12.8	3.9	280	20
13 x 5.00 - 6	2	12.8	4.9	295	20
15 x 5.00 - 6	2	14.8	5.2	430	18
16 x 6.50 - 8	2	16.5	6.1	415	14
4.80 - 8	2	16.7	4.5	435	20

ALL TIRES ARE NON-HIGHWAY SERVICE (NHS) UNLESS SPECIFIED OTHERWISE.





PNEUMATIC

Tractor

Size	Ply	Mounted Diameter	Mounted Width	Max Load @ 10 MPH	Max PSI
4.10 - 6	2	12.1	3.8	290	20
13 x 5.00 - 6	2	13.0	4.7	295	20
	4	13.4	4.7	440	40
16 x 6.50 - 8	4	15.7	6.0	673	28
4.80 x 4.00 - 8	2	16.4	4.6	240	17
20 x 8.00 - 10	4	20.5	7.7	895	23
6.00 - 12	4	22.3	5.6	600	28
23 x 10.5 - 12	4	22.6	10.4	1550	30
26 x 12 - 12	8	25.7	12.3	3020	50
31 x 15.5 - 15	8	32.1	15.9	4360	45
38 x 18.0 - 20	12	39.3	18.1	7720	65



PNEUMATIC

Dimpled Knobby

Size	Ply	Mounted Diameter	Mounted Width	Max Load @ 10 MPH	Max PSI
145 x 70 - 6	2	14.4	5.4	77	4
18 x 9.50 - 8	2	17.9	8.6	178	4
22 x 11.00 - 8	2	22.8	9.5	397	5
25 x 12.00 - 9	4	24.3	10.6	430	5



PNEUMATIC

Turf Traxx

Size	Ply	Mounted Diameter	Mounted Width	Max Load @ 10 MPH	Max PSI
18 x 8.50 - 8	4	17.7	8.4	816	22
18 x 9.50 - 8	4	18.0	9.3	935	20
20 x 10.00 - 10	4	20.0	9.8	1170	22
22 x 11.00 - 8	4	22.2	10.1	1380	20
22 x 11.00 - 10	4	22.2	10.1	1300	20
23 x 10.50 - 12	4	22.8	10.4	1340	20
24 x 12.00 - 12	4	24.0	12.0	1709	20
26 x 12.00 - 12	4	25.6	12.0	1786	14

ALL TIRES ARE NON-HIGHWAY SERVICE (NHS) UNLESS SPECIFIED OTHERWISE.



PNEUMATIC

Golf Cart Sawtooth

Size	Ply	Mounted Diameter	Mounted Width	Max Load @ 10 MPH	Max PSI
16.5 x 6.50 - 8	4	16.5	6.5	1366	45
18 x 8.50 - 8	4	17.9	8.5	815	22
20.5 x 8.0 - 10	4	20.5	7.9	1995	35
	6	20.5	7.9	2436	50
	8	20.5	7.9	2932	70
20 x 9.0 - 12	6	20.0	8.2	1260	32

ALL TIRES ARE NON-HIGHWAY SERVICE (NHS) UNLESS SPECIFIED OTHERWISE.



Custom Tread Designs and Sizes

Looking for something different or unique? In addition to the tread designs and sizes listed in this catalog, Hoosier Wheel can work with you to design and manufacture a custom tread design or size to meet a very specific need or to provide a unique style to your product. Ask a representative for details.

NEED FLATPROOFING?
Tire Sealant or Polyurethane Foam Fill can be added to any pneumatic tire.



Custom wheel assemblies—
**built to spec,
made to last.**

Don't see what you're looking for? Give us a call at 1.877.206.4762.
We can engineer and manufacture a custom wheel assembly just for you.



SEMI-PNEUMATIC

Plastic

Size	Tread	Bore	Hub	SYM/OS	Style
6 x 1.50	Smooth, Diamond	1/2	1-1/2	OS	Mag
7 x 1.50	Diamond	1/2	1-1/2	OS	Mag
8 x 1.75	Diamond	1/2	1-1/2	OS	Mag
12 x 1.75	Diamond	1/2, 5/8, 3/4		SYM	Spoke
14 x 1.75	Diamond	1/2, 5/8, 3/4		SYM	Spoke
16 x 1.75	Diamond	1/2, 5/8, 3/4		SYM	Spoke
8 x 1.75	Diamond, Gear, F Rib	1/2	1-3/8	OS	
		1/2	1-1/2	OS	
		1/2	1-5/8	OS	
8 x 2.50	Rib	1/2, 5/8, 3/4	2-1/2	SYM	
		1/2, 5/8, 3/4	2-1/4	OS	Mag Style
8.25 x 2.75	Smooth, Diamond, Stag Bar	1/2, 5/8, 3/4	2-1/4	OS	Mag Style
		1/2, 5/8, 3/4	3-1/4	SYM	
10 x 1.75	F Rib, Diamond	1/2	2 or 1-1/2	SYM	
		1/2	1-5/8	OS	
10 x 2.75	Smooth, Turf, Rib	1/2, 5/8, 3/4	2-1/4	OS	Mag Style
		1/2, 5/8, 3/4	3-1/4	SYM	
10.50 x 3.50	Turf	1/2, 5/8, 3/4	2-1/4	OS	Mag Style
12.25 x 3.50	Turf	1/2, 5/8, 3/4	2-1/2 or 3-1/4	SYM	
12 x 3	Rib, Alternating Bar	1/2, 5/8, 3/4	2-1/2 or 3-1/4	SYM	
14 x 1.75	Diamond	1/2	2-7/16	SYM	Spoke
16 x 1.75	Diamond	1/2	2-7/16	SYM	Spoke
20 x 1.75	Rib	1/2, 5/8, 3/4	2-7/16	SYM	Spoke

WHITE, SILVER, BLACK, AND CUSTOM COLORS AVAILABLE.

3/8 ID REDUCERS AVAILABLE.

Custom wheel assemblies—

**built to spec,
made to last.**

Don't see what you're looking for? Give us a call at 1.877.206.4762.

We can engineer and manufacture a custom wheel assembly just for you.

PLASTIC

Tread Caps



Size	Tread	Bore	Hub	SYM/OS	Style
6 x 1.50	Smooth, Diamond	1/2	1-1/2	OS	Mag
7 x 1.50	Diamond	1/2	1-1/2	OS	Mag
8 x 1.75	Diamond	1/2	1-1/2	OS	Mag
12 x 1.75	Diamond	1/2, 5/8, 3/4	1-3/4	OS	Spoke
14 x 1.75	Diamond	1/2, 5/8, 3/4	2-3/16, 2-7/16	SYM	Spoke
16 x 1.75	Diamond	1/2, 5/8, 3/4	2-1/6	SYM	Spoke

ALL TIRES ARE NON-HIGHWAY SERVICE (NHS) UNLESS SPECIFIED OTHERWISE.



Semi-Pneumatic & Solid

Size	Tread
5 x 1.25	Rib
5 x 1.50	Smooth
6 x 1.38	Box
6 x 1.50	Diamond, Rib, Smooth
6 x 1.66	Smooth
6 x 1.75	Rib
6 x 2	Rib
6.25 x 3	Rib
7 x 1.50	Diamond, Rib
8 x 1.74	Box
8 x 1.75	Diamond, Gear, Rib, TSW Rib, Smooth, T-Tread
8 x 2	S-Tread, Turf
8 x 2.50	Rib
8 x 3	Rib
8 x 3.50	Rib, Smooth
8.25 x 2.75	Diamond Smooth, Staggered Bar
9 x 1.75	Diamond, TSW Rib
9 x 1.95	Diamond
9 x 2	S-Tread

Size	Tread
9 x 3	Smooth
9 x 3.50	Rib, Smooth
10 x 1.25	Rib
10 x 1.75	Diamond, Rib, TSW Rib Smooth
10 x 2.75	Rib, Smooth, Turf
10 x 3	Rib
10 x 3.25	Rib
10 x 4	Rib
10.25 x 3.25	Diamond, Rib, Smooth
10.50 x 3.50	Rib, Turf, Z-Tread
11 x 4	Rib
12 x 1.75	Rib, Tractor
12 x 3	Rib, Tractor
12 x 4	Rib
12.25 x 3.50	Turf, Z-Tread
13 x 5	Rib, Smooth
13 x 6.50	Rib, Smooth
14 x 1.75	Rib, TSW Rib
16 x 4	Rib



Gray non-marking tire also available in most sizes and treads.



PLASTIC

Deck Wheels

Size	Diameter	Tread Width	Bore Size	Hub Length	SYM/OS	Style
3 x 3.25	2.9	3.25	5/8	3.25	SYM	Striper
3.75 x 4.00	3.75	2.0	3/4	4.0	SYM	Striper
3.8 x 3.50	3.8	3.46	1/2	3.78	SYM	Nesting roller - solid side, spoked side
4 x 4.70	4.0	4.7	3/4	4.7	SYM	Striper - square or rounded end
4.5 x 2.90	4.5	2.9	5/8	3.0	SYM	Anti-Scalp
5 x 1.00	5.0	1.0	3/8	1.125	SYM	Bumper
5 x 2.75	5.0	2.75	5/8	3.00	SYM	Anti-Scalp
5 x 2.75	5.0	2.75	5/8	3.25	SYM	Anti-Scalp
5 x 2.75	5.0	2.75	5/8	2.50	OS	Anti-Scalp
5 x 2.75	5.0	2.75	5/8	2.60	OS	Anti-Scalp

ALL TIRES ARE NON-HIGHWAY SERVICE (NHS) UNLESS SPECIFIED OTHERWISE.



SEMI-PNEUMATIC

Agriculture

Size	Type	Mounted Diameter	Mounted Width
1 x 9	V tread, clincher	9.0	1.0
1 x 10	smooth, clincher	10.0	1.0
1 x 12	smooth	12.0	1.0
1.25 x 13.5	wedge, clincher	13.5	1.25
2 x 13	smooth closing	13.0	2.0
3 x 13	double rib, ridge back	13.0	3.0
3 x 16	chined	16.0	3.0
4 x 12	smooth, smooth concave, traction concave	11.7	4.0
4 x 16	smooth crown, chevron crown	16.0	4.0
4.5 x 16	chined	16.0	4.5

SEMI-PNEUMATIC AG TIRES

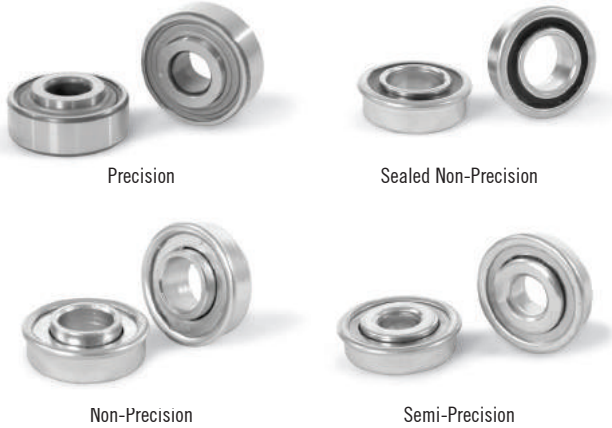
Planters, seeders, grain drills... we have tires for them all. Hoosier Wheel has been making semi-pneumatic tires for close to 50 years and this experience has allowed us to work with major OEMs to achieve their performance requirements in the fields of America. We are ready to work with your engineering teams to match your ideal performance and price point. We offer both solid and semi-pneumatic tires as well as steel and nylon rim construction. Our proprietary Ag tire compounds have withstood the rigorous environments of the fields and provided the dependability that farmers count on.



Wheel Component Options

Ball Bearings

Ball bearings offer the truest rolling motion and least friction of any bearing type. Ball bearings are pre-greased for reduced install time and long-life. Ball bearings are offered in a sealed configuration to reduce contamination and on-going maintenance requirements.



Tapered Roller Bearings

Cup, cone, and seal bearings are ideal for heavier duty applications. These bearings are designed with tapered faces, which make them able to handle side and downward forces.



Roller Bearings

Roller bearings are made of machined alloy steel and are contained in a cage to form a self-contained unit. These bearings are suitable for applications where the wheel is subject to severe shock or thrust loads.



Bushings

Powdered metal bushings can be made of a variety of compounds and can be oil impregnated for continuous lubrication and rust prevention.

Nylon bushings are ideal for situations where metal bushings are not feasible. These bushings are an excellent alternative in wash-down environments and are more economical than powdered metal bushings or ball bearings.



Grease Fittings

Grease fittings are available on most wheel assemblies.



Custom wheel assemblies—
built to spec,
made to last.

How to Order

Hoosier Wheel makes the ordering process as simple and quick as possible. If you know some or all of your specs, fill in the form here and send it to us. This information will help expedite your order. If you'd rather not fill out the form, or if you're simply not sure what you need, just pick up the phone and speak with one of our knowledgeable representatives and we'll get the ball...or, in this case, the WHEEL, rolling.

Contact Name

Company Name

Phone Number

Contact E-mail

Address

City/State/Zip

Fax Number

To receive a quote, please send the completed form to Hoosier Wheel using one of the following:

Fax: 1.812.421.6908
 E-mail: sales@hoosierwheel.com
 Phone: 1.877.206.4762
 Online form: HoosierWheel.com/OrderForm
 Address:
 Hoosier Wheel
 P.O. Box 6447
 Evansville, IN 47719

Pneumatic

Dimension	Product Information	
	Wheel Style	_____
A	Tire Diameter	_____
B	Section Width	_____
	Tread Design	_____
C	Bore Size	_____
	Bearing Type	_____
D	Hub Width	_____
E	Offset or Symmetrical	_____
F	Rim Size	_____
	Load Requirement	_____
G	Bolt Hole Circle (if any)	_____
H	Pilot Hole Size (if any)	_____
	Tubeless or Tube Type	_____
	Ply Rating (2/4/6)	_____
	Rim Color	_____
	EAU/Release Quality	_____

Semi-Pneumatic

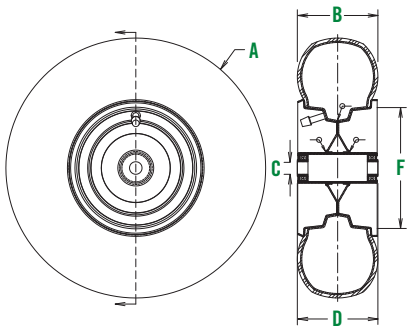
Dimension	Product Information	
	Wheel Style	_____
A	Tire Diameter	_____
B	Section Width	_____
	Tread Design	_____
C	Bore Size	_____
	Bearing Type	_____
D	Hub Width	_____
E	Offset or Symmetrical	_____
	Rim Color	_____
	Load Requirement	_____
	EAU/Release Quality	_____

Custom Wheel Assemblies

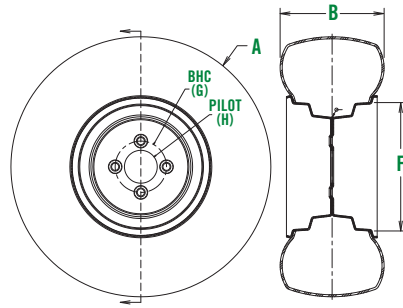
Over the years, Hoosier Wheel has been fortunate enough to be called upon to create some of the world's most unique wheel assemblies. Each one is distinctly engineered to our customers' specifications. We're proud of each and every assembly we've created. Take a look at some of our creations, then give us a call and let us build an assembly especially for you.



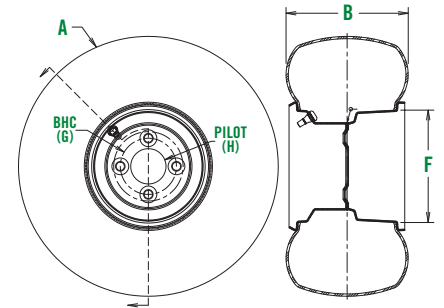
Pneumatic Wheels



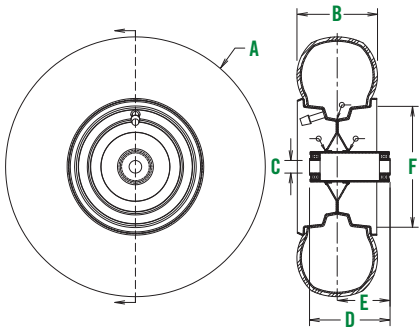
Tubular Hub Symmetrical



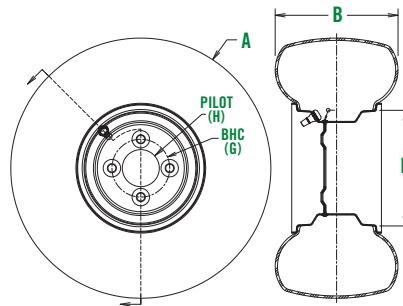
Symmetrical Drop Center



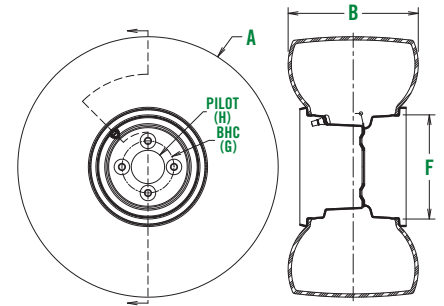
Symmetrical with Brake Drum



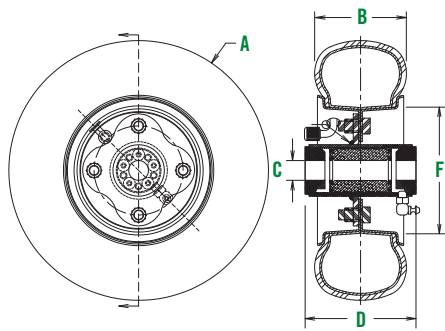
Tubular Hub Offset



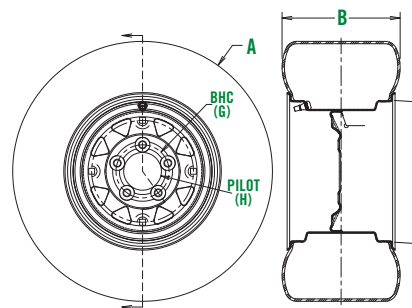
Offset Drop Center



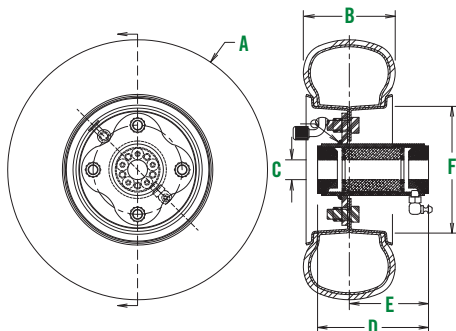
Offset with Brake Drum



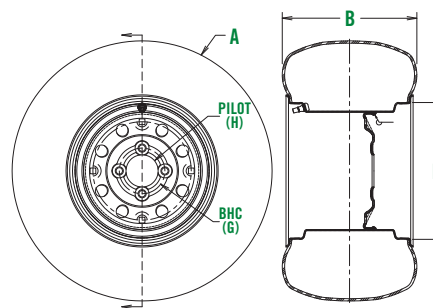
Bolt Together Symmetrical



Rolled Rim Symmetrical

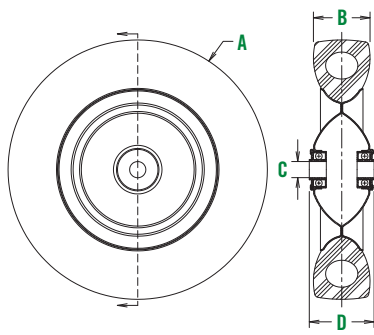


Bolt Together Offset

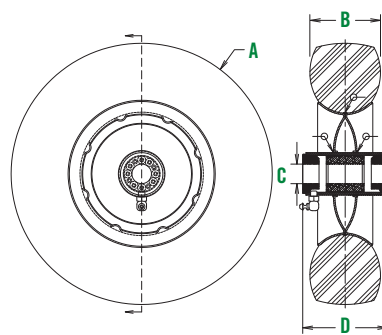


Rolled Rim Offset

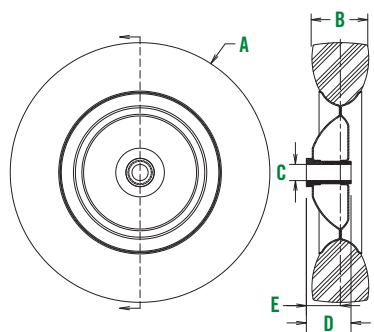
Semi-Pneumatic Wheels



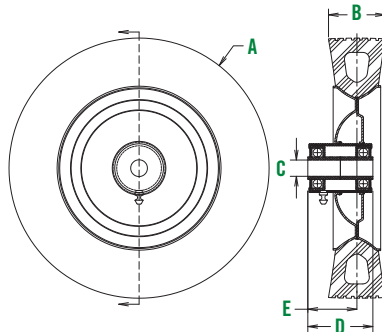
Semi-Pneumatic Symmetrical



Semi-Pneumatic Tubular Hub Symmetrical



Semi-Pneumatic Offset



Semi-Pneumatic Tubular Hub Offset

The right wheel assembly for you:

Pneumatic – From light-duty home and garden use to heavy-duty construction applications, pneumatic wheels provide peak performance. Pneumatic wheels cushion the ride for smooth transportation. They distribute the load over a wide area and are ideal for rolling over uneven and soft surfaces. Quality workmanship equals rugged durability, greater dependability, and longer life.

Semi-Pneumatic – Never have a flat tire again. Semi-pneumatics have the advantage of NEVER going flat, which of course adds to their overall low maintenance. Durable construction gives you the peace of mind that you'll get years of reliable service, and Hoosier quality gives you the assurance that you're buying the best.

Plastic – Depending upon your need, our plastic wheel is a viable alternative. If your application calls for a wheel that's non-corrosive and won't rust, then we've got the wheel for you. They're lightweight, durable, and, best of all, economical.

Flat-Free – Our flat-free line offers durability across a wide array of applications. A commercial quality, flat-proof wheel, combined with the proper choice of tread, will increase productivity in a variety of ways. Don't let its cushioned ride fool you—this is one rugged setup.

Solid – In this case, the word "solid" speaks about more than just the tire construction. We're talking solid quality and durability for heavy capacity applications. These tires are also flat-proof for added peace of mind and reduced downtime.



P.O. Box 6447 Evansville, IN 47719
1.812.421.6900 Toll Free: 1.877.206.4762 HoosierWheel.com

