



HOOOSIER WHEEL

Pneumatic & Semi-Pneumatic
Wheel Assemblies



1-812-421-6900 – www.hoosierwheel.com – 1-877-206-4762



Pneumatic & Semi-Pneumatic
Wheel Assemblies

Hoosier Wheel has furnished semi-pneumatic and pneumatic wheel assemblies to original equipment manufacturers since 1967. We have a reputation for outstanding product durability and can produce a wide variety of parts to our customer's specifications.

Hoosier wheel makes over 4000 different wheel configurations to meet customer specification requirements and application needs.

Hoosier Wheel is structured to make deliveries fast and on time. The next time you need wheels, let Hoosier Wheel help you in designing, engineering, and manufacturing the best wheel for your application.

We are ISO 9001:2000 registered to insure our products meet our Customer's specifications. Quality Control is one of Hoosier Wheel's top priorities. With quality raw materials, tightly supervised production and quality inspected goods, our product is shipped to your specifications.



TABLE OF CONTENTS

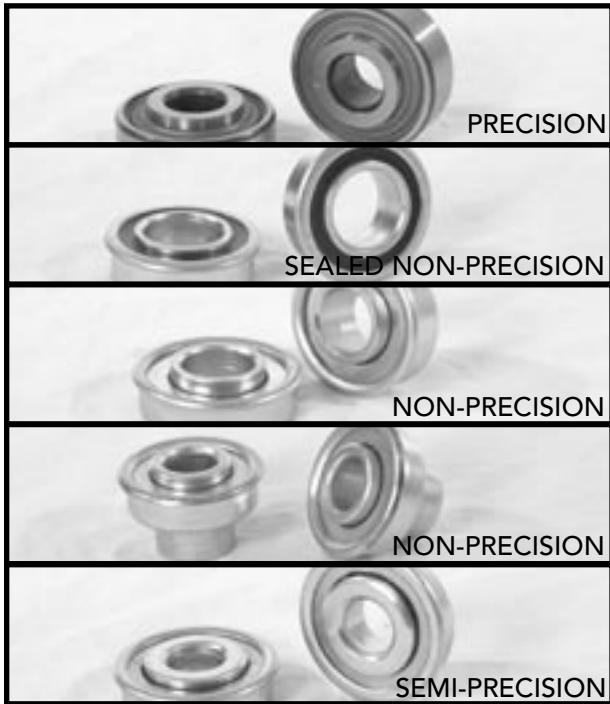
Bearings / Bushings	Pages 1-2
Semi-Pneumatic Wheels	Page 3
Semi-Pneumatics	Page 4
Plastic Wheel Assemblies	Page 5
Solids / Kangaroo	Page 6
Hollowmatic / Urethane	Page 7
How to Order (Semi-Pneumatics)	Page 8
Pneumatic Wheels	Pages 9-10
Sawtooth / Stud	Page 11
Round Rib / Square Shoulder Rib	Page 12
Turf.	Page 13
Turf Tech / S Turf	Page 14
Super Turf / Turf Traxx	Page 15
Mowku Turf / Smooth	Page 16
Tractor / Snow	Page 17
Aluminum Die Cast	Page 18
Tubes	Page 19
How to Order (Pneumatics)	Page 20



**HOOSIER
WHEEL**

Pneumatic & Semi-Pneumatic
Wheel Assemblies

BEARINGS/BUSHINGS



Ball Bearings

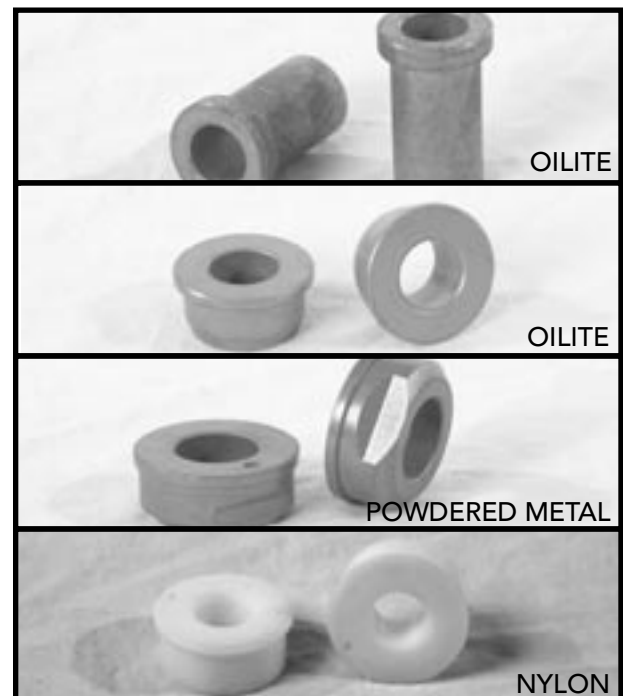
The standard ball bearings are sealed and pre-greased for long life and easy rolling. These bearings offer a smooth rolling motion at an economical price.

Ball bearings, which are capable of higher weight loads, are also available. These bearings have a hardened wire race and can be sealed and pre-greased.

Bushings

Powdered metal bushings can be made of a variety of compounds. These bushings are oil impregnated for continuous lubrication.

Nylon bushings are ideal for situations where metal bushings are not feasible. These bushings are an excellent alternative in wash-down environments, and are more economical than powdered bushings or ball bearings.



BEARINGS/BUSHINGS



Roller Bearings

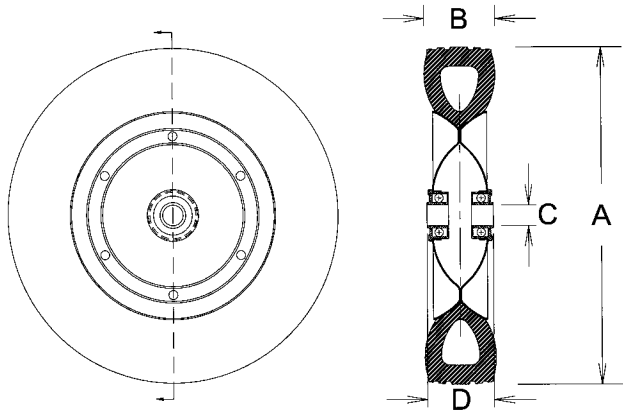
Roller bearings are made of machined alloy steel and contained in a cage to form a self-contained unit. These bearings are suitable for applications where the wheel is subject to severe shock or thrust loads.

Cup, Cone and Seal

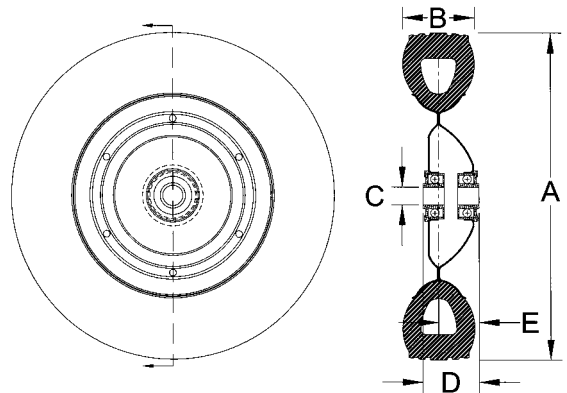
Cup, Cone, and Seal bearings are ideal for heavier duty applications. These bearings are designed with tapered faces, which make them able to handle side and downward forces.



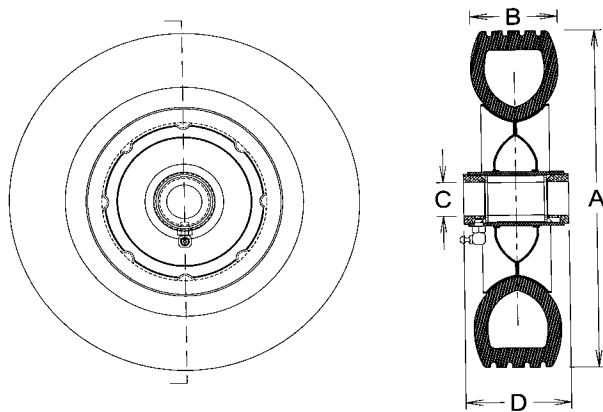
SEMI-PNEUMATIC WHEELS



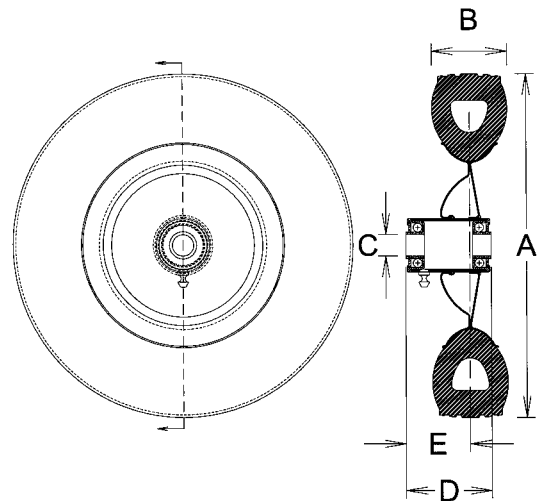
Semi-Pneumatic Symmetrical



Semi-Pneumatic Offset



**Semi-Pneumatic
Tubular Hub Symmetrical**



**Semi-Pneumatic
Tubular Hub Offset**



SEMI-PNEUMATICS

Gray non-marking tire also available in most sizes.

SEMI-PNEUMATICS

Size

5 X 1.25
 5 X 1.50
 6 X 1.38
 6 X 1.50
 6 X 1.50
 6 X 1.50
 6 X 1.66
 6 X 1.75
 6 X 2
 6.25 X 3
 7 X 1.50
 7 X 1.50
 7 X 1.50
 7 X 1.75
 7 X 1.75
 7.50 X 1.50
 7.50 X 1.75
 8 X 1.74
 8 X 1.75
 8 X 1.75
 8 X 1.75
 8 X 1.75
 8 X 1.75
 8 X 1.75
 8 X 2
 8 X 2
 8 X 2.50
 8 X 3.50
 8 X 3.50
 8.25 X 2.75
 8.25 X 2.75
 8.25 X 2.75
 8.25 X 2.75
 9 X 1.75
 9 X 1.75
 9 X 1.95
 9 X 2

Tread

Rib
 Smooth
 Box
 Diamond
 Rib
 Smooth
 Smooth
 Rib
 Rib
 Rib
 Diamond
 Rib
 Smooth
 Diamond
 Gear
 Diamond
 Rib
 Box
 Diamond
 Gear
 Rib
 TSW Rib
 Smooth
 T-Tread
 S-Tread
 Turf
 Rib
 Rib
 Smooth
 Diamond
 Rib
 Smooth
 Staggered Bar
 Diamond
 TSW Rib
 Diamond
 S-Tread

Size

9 X 3
 9 X 3.50
 9 X 3.50
 10 X 1.25
 10 X 1.75
 10 X 1.75
 10 X 1.75
 10 X 1.75
 10 X 1.75
 10 X 2.75
 10 X 2.75
 10 X 2.75
 10 X 2.75
 10 X 3
 10 X 3.25
 10.12 X 4
 10.25 X 3.25
 10.25 X 3.25
 10.25 X 3.25
 10.25 X 3.25
 10.50 X 3.50
 10.50 X 3.50
 11 X 4
 12 X 1.50
 12 X 1.75
 12 X 1.75
 12 X 3
 12 X 3
 12 X 3
 12 X 4
 12.25 X 3.50
 13 X 5
 13 X 5
 13 X 6.50
 13 X 6.50
 14 X 1.75
 16 X 4
 20 X 3

Tread

Smooth
 Rib
 Smooth
 Rib
 Diamond
 Rib
 TSW Rib
 Smooth
 Tractor
 Rib
 Smooth
 Tractor
 Rib
 Rib
 Rib
 Rib
 Diamond
 Rib
 Smooth
 Staggered Bar
 Rib
 Turf
 Rib
 Rib
 Rib
 Tractor
 Rib
 Rib
 Tractor
 Rib
 Rib
 Turf
 Rib
 Smooth
 Rib
 Smooth
 Rib
 Rib
 Rib



PLASTIC WHEEL ASSEMBLIES

Size	Tread	Bore	Hub	SYM/OS	Color	
6 X 1.50	Diamond	1/2	1-3/8	OS	White	
6 X 1.50	F Rib	1/2	1-3/8	OS	White	
7 X 1.50	Diamond	1/2	1-3/8	OS	White	
7 X 1.50	F Rib	1/2	1-3/8	OS	White	
8 X 1.75	Diamond	1/2	1-3/8	OS	White	
8 X 1.75	Gear	1/2	1-3/8	OS	White	
8 X 1.75	F Rib	1/2	1-1/2	OS	White	
8 X 1.75	Diamond	1/2	1-5/8	OS	Silver	
8 X 1.75	Diamond	.510	1-5/8	OS	White	
8 X 1.75	Diamond	.535	1-5/8	OS	Silver	
8 X 2.50	Rib	1-3/8	2-1/2	SYM	Gray	
8 X 2.50	Rib	1-3/8	2-1/4	OS	Gray	Mag Style
10 X 1.75	F Rib	1/2	2	SYM	White	
10 X 1.75	F Rib	1/2	1-1/2	SYM	White	
10 X 1.75	Diamond	.535	1-5/8	OS	Silver	
10 X 2.75	Rib	1-3/8	2-1/4	OS	Gray	Mag Style
10 X 2.75	Rib	1-3/8	3-1/4	SYM	Gray	
10 X 2.75	Rib	1-3/8	2-1/4	OS	Gray	Spoke Style
10.50 X 3.50	Turf	1/2 BB	2-1/4	OS	White	Mag Style



SOLIDS



KANGAROO

SOLIDS

Size

6 X 1.50
 6 X 2
 6.25 X 3
 7 X 1.50
 8 X 1.75
 8 X 2
 8 X 2
 8 X 2.50
 8 X 3
 8 X 3.50
 9 X 1.95
 9 X 2
 9 X 3.50

Tread

Rib
 Rib
 Rib
 Rib
 Rib
 Smooth
 S-Tread
 Rib
 Rib
 Rib
 Diamond
 S-Tread
 Smooth

Size

10 X 1.75
 10 X 2.75
 10 X 3.25
 10 X 4
 10.25 X 3
 10.25 X 3.25
 10.25 X 3.25
 12 X 1.75
 12 X 3
 12 X 4
 12 X 4
 13 X 5
 14 X 1.75
 16 X 4

Tread

Rib
 Rib
 Rib
 Smooth
 Rib
 Rib
 Smooth
 Rib
 Rib
 Rib
 Rib
 Rib
 Rib
 Rib

KANGAROO

Size

8 X 2
 8.25 X 2.75
 10 X 3.75

Tread

Smooth
 Smooth
 Smooth

Does your wheel need a little bounce? Then the non-marking Kangaroo tire is your answer.



HOLLOWMATIC

Size	Tread
8 X 3.50	Rib
9 X 3	Rib
9 X 3.50	Rib
9 X 3.50	Smooth
10 X 3.25	Rib
13 X 5.00 - 6	Rib
13 X 5.00 -10	Rib
13 X 6.50 - 6	Rib
13 X 6.50 - 6	Smooth



URETHANE

Looking for an answer to your flat problems? The Hollowmatic tire is your answer. The Hollowmatic is more economical than Urethane and will solve all of your flat problems.

URETHANE

Size	Tread	Load Capacity	Max PSI	Width
4.10/3.50 - 4	Rib	300	9.75	3.25
4.10/3.50 - 4	Smooth	300	9.75	3.25
4.80/4.00 - 8	Rib	1000	16.00	3.38
4.80/4.00 - 8	Smooth	1000	16.00	3.38
4.00 - 8	Rib	500	13.00	3.00
8 X 3.00 - 4	Smooth	250	7.63	3.00
9 X 3.50 - 4	Smooth	250	8.50	4.00
11 X 4.00 - 5	Rib	330	10.50	4.00
11 X 4.00 - 5	Turf	330	10.50	4.00
11 X 4.00 - 5	Smooth	330	10.50	4.00
13 X 5.00 - 6	Turf	285	13.00	5.00
13 X 5.00 - 6	Smooth	285	13.00	5.00
13 X 6.50 - 6	Smooth	305	12.75	6.00
15 X 6.00 - 6	Turf	360	14.50	6.00
16 X 6.50 - 8	Turf	380	16.00	6.50

HOW TO ORDER FROM HOOSIER WHEEL

Company Name: _____

Address: _____

City/State/Zip: _____

Phone Number: _____

Fax Number: _____

Contact Name: _____

Contact E-Mail: _____



Semi-Pneumatics

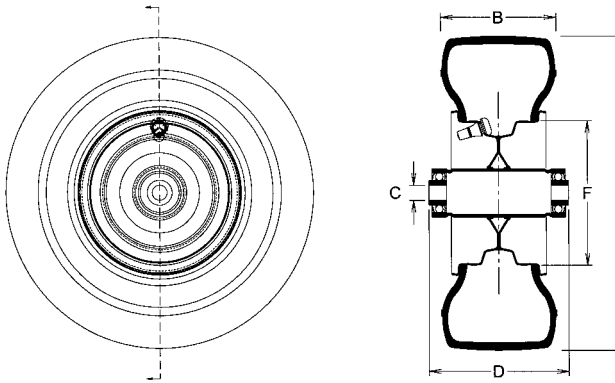
Dimension		Reference	
	Wheel Style	Page 3	
"A"	Wheel Diameter	Page 3	
"B"	Tread Width	Page 3	
	Tread Design	Pages 4 - 7	
"C"	Bore Size	Page 3	
	Bearing Type	Pages 1 - 2	
"D"	Hub Width	Page 3	
"E"	Offset or Symmetrical	Page 3	
	Wheel Color		
	Load Rating		
	EAU/Release Quantity		

To receive a quote, please send the completed form to Hoosier Wheel using one of the following:

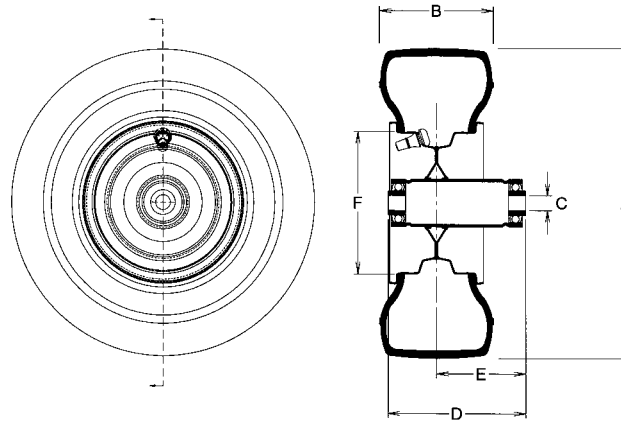
Fax: 1-812-421-6908
 E-Mail: sales@hoosierwheel.com
 Phone: 1-877-206-4762

Address:
 Hoosier Wheel & Stamping
 P.O. Box 6447
 Evansville, IN 47719

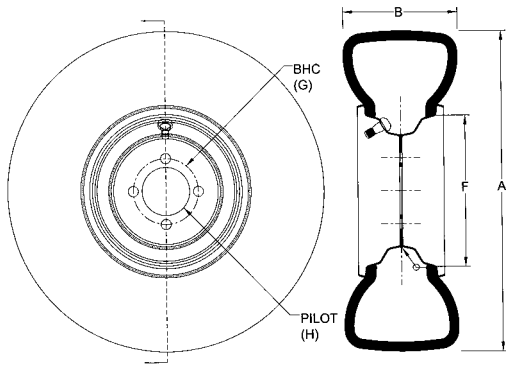
PNEUMATIC WHEELS



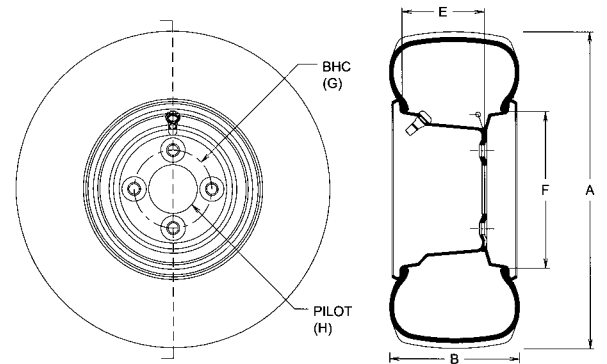
Tubular Hub Symmetrical



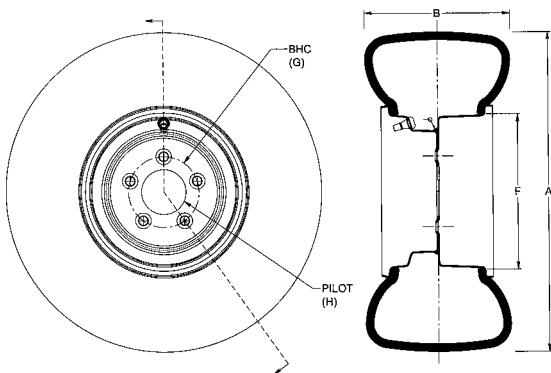
Tubular Hub Offset



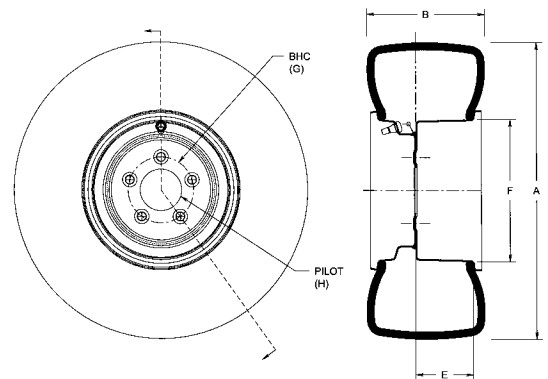
Symmetrical Drop-Center



Offset Drop Center

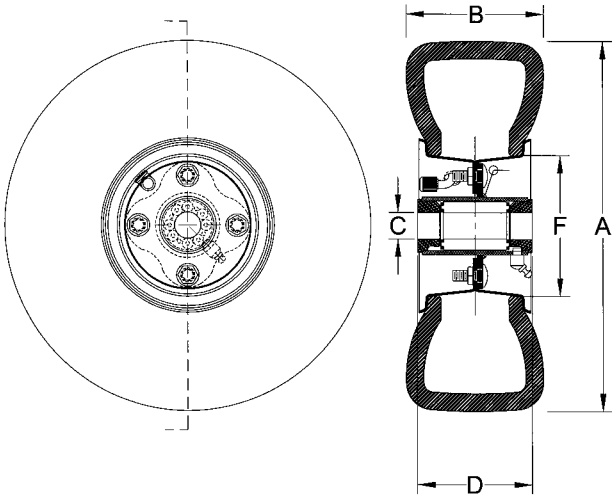


Symmetrical with Brake Drum

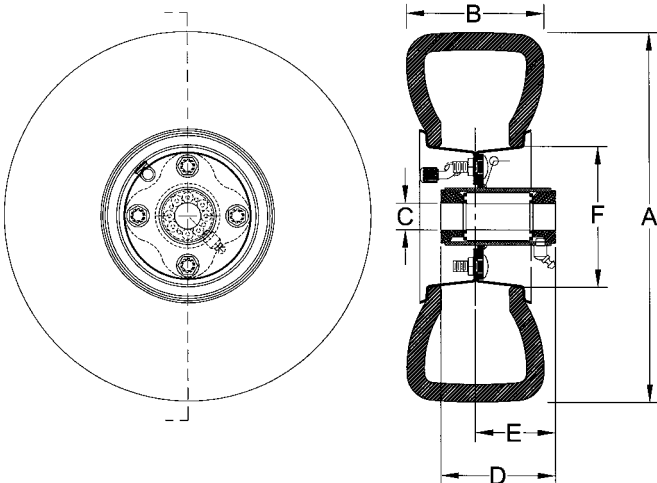


Offset with Brake Drum

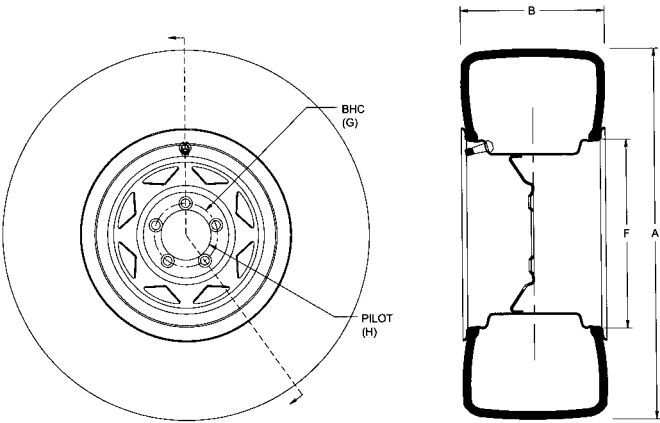
PNEUMATIC WHEELS



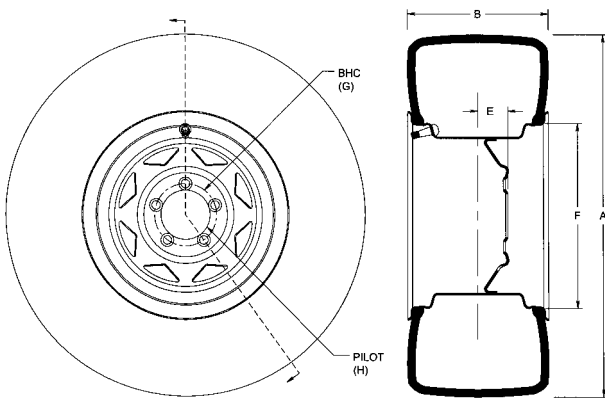
Bolt Together Symmetrical



Bolt Together Offset



Rolled Rim Symmetrical



Rolled Rim Offset



SAWTOOTH

STUD

SizeType	Ply	Max	PSI	Load Capacity	Diameter	Width
4.10/3.50 - 4	TL	2	30	230	10.3	3.9
4.10/3.50 - 4	TT	2	30	230	10.3	3.9
4.10/3.50 - 4	TL	4	50	260	10.4	3.9
4.10/3.50 - 4	TT	4	50	350	10.4	3.9
4.10/3.50 - 5	TL	2	24	260	11.3	3.9
4.10/3.50 - 5	TT	2	24	260	11.3	3.9
4.10/3.50 - 5	TL	4	50	380	11.6	3.9
4.10/3.50 - 5	TT	4	50	380	11.6	3.9
4.10/3.50 - 6	TL	2	30	290	12.4	4.1
4.10/3.50 - 6	TT	2	30	290	12.4	4.1
4.10/3.50 - 6	TL	4	50	445	12.6	4.1
4.10/3.50 - 6	TT	4	50	445	12.6	4.1
4.10/3.50 - 6	TT	6	70	628	12.4	4.2
4.80/4.00 - 8	TL	2	30	435	16.1	4.6
4.80/4.00 - 8	TT	2	30	435	16.1	4.6
4.80/4.00 - 8	TL	4	50	670	16.5	4.6
4.80/4.00 - 8	TT	4	50	670	16.5	4.6
4.80/4.00 - 8	TT	6	90	745	16.5	4.7

STUD

Size	Type	Ply	Max PSI	Load Capacity	Diameter	Width
4.10/3.50 - 4	TL	2	30	230	10.4	3.9
4.10/3.50 - 4	TT	2	30	230	10.4	3.9
4.10/3.50 - 4	TL	4	50	350	10.6	3.9
4.10/3.50 - 4	TT	4	50	350	10.6	3.9
4.10/3.50 - 5	TL	2	30	260	11.6	3.9
4.10/3.50 - 5	TT	2	30	260	11.6	3.9
4.10/3.50 - 5	TL	4	50	380	11.7	3.9
4.10/3.50 - 5	TT	4	50	380	11.7	3.9
4.10/3.50 - 6	TL	2	30	290	12.3	4.0
4.10/3.50 - 6	TT	2	30	290	12.3	4.0
4.10/3.50 - 6	TL	4	50	445	12.4	4.0
4.10/3.50 - 6	TT	4	50	445	12.4	4.0
4.10/3.50 - 6	TT	6	90	628	12.7	4.1
4.80/4.00 - 8	TL	2	30	435	16.1	4.5
4.80/4.00 - 8	TT	2	30	435	16.1	4.5
4.80/4.00 - 8	TL	4	50	670	16.3	4.6
4.80/4.00 - 8	TT	4	50	670	16.3	4.6
4.80/4.00 - 8	TL	6	90	1102	16.5	4.8
4.80/4.00 - 8	TT	6	98	1102	16.3	4.8
5.30/4.50 - 6	TT	2	18	360	14.2	5.1



ROUND RIB

SQUARE SHOULDER RIB

Size	Type	Ply	Max PSI	Load Capacity	Diameter	Width
3.40/3.00 - 5	TT	4	50	265	10.7	3.8
3.00 - 4	TT	2	30	240	10.4	3.4
3.00 - 4	TT	4	50	440	10.4	3.4
3.00 - 8	TL	2	35	245	13.9	3.1
3.50 - 6	TL	2	30	300	12.7	3.6
4.00 - 4	TT	4	50	510	11.8	4.1
4.00 - 4	TL	6	60	562	11.7	4.2
4.00 - 6	TL	2	30	350	13.6	4.5
4.00 - 6	TL	4	50	510	13.8	4.5
4.80/4.00 - 8	TL	2	30	435	15.7	4.5
4.80/4.00 - 8	TT	2	30	435	15.7	4.5
4.80/4.00 - 8	TL	4	50	670	15.9	4.5
4.80/4.00 - 8	TT	4	50	670	15.9	4.5

SQUARE SHOULDER RIB

Size	Type	Ply	Max PSI	Load Capacity	Diameter	Width
4.00 - 6	TL	2	30	350	13.4	4.1
11 X 4.00 - 5	TL	2	22	210	10.5	3.9
11 X 4.00 - 5	TT	2	22	210	10.5	3.9
11 X 4.00 - 5	TL	4	46	330	10.6	4.0
11 X 4.00 - 5	TT	4	46	330	10.6	4.0
13 X 5.00 - 6	TL	2	20	295	12.4	4.7
13 X 5.00 - 6	TT	2	20	295	12.4	4.7
13 X 5.00 - 6	TL	4	40	440	12.8	4.7
13 X 5.00 - 6	TT	4	40	440	12.8	4.7
13 X 6.50 - 6	TL	2	14	304	12.7	5.8
13 X 6.50 - 6	TT	2	14	304	12.6	5.7
13 X 6.50 - 6	TL	4	28	460	12.8	5.9
13 X 6.50 - 6	TT	4	28	460	12.8	5.9
15 X 6.00 - 6	TL	2	14	365	14.3	5.9
15 X 6.00 - 6	TT	2	14	365	14.3	5.9
15 X 6.00 - 6	TL	4	30	570	14.4	6.0
15 X 6.00 - 6	TT	4	30	570	14.4	6.0
16 X 6.50 - 8	TL	2	14	415	16.0	6.8
16 X 6.50 - 8	TT	2	14	415	16.0	6.8
16 X 6.50 - 8	TL	4	28	620	16.3	6.8
16 X 6.50 - 8	TT	4	28	620	16.3	6.8
16 X 6.50 - 8	TT	6	36	720	16.1	6.8
18 X 8.50 - 8	TL	2	10	515	17.2	8.2
18 X 8.50 - 8	TL	4	22	815	17.4	8.1
18 X 8.50 - 8	TL	6	22	1047	17.6	8.3



TURF

Size	Type	Ply	Max PSI	Load Capacity	Diameter	Width
4.10/3.50 - 4	TL	2	24	230	10.2	3.7
4.10/3.50 - 4	TT	2	24	230	10.2	3.7
4.10/3.50 - 4	TL	4	50	350	10.2	3.7
4.10/3.50 - 4	TT	4	50	350	10.2	3.7
8 X 3.00 - 4	TL	4	30	125	8.1	2.7
11 X 4.00 - 4	TL	2	22	212	11.2	4.1
13 X 5.00 - 6	TL	2	20	295	12.7	4.5
13 X 5.00 - 6	TT	2	20	295	12.7	4.5
13 X 5.00 - 6	TL	4	40	440	12.7	4.5
13 X 5.00 - 6	TL	4	40	440	12.7	4.5
13 X 6.50 - 6	TL	2	14	305	12.8	6.3
13 X 6.50 - 6	TT	2	14	305	12.8	6.3
13 X 6.50 - 6	TL	4	28	460	13.1	6.3
13 X 6.50 - 6	TT	4	28	460	13.3	6.1
15 X 6.00 - 6	TL	2	14	365	14.4	6.1
15 X 6.00 - 6	TT	2	14	365	14.4	6.1
15 X 6.00 - 6	TL	4	30	571	14.7	6.1
15 X 6.00 - 6	TT	4	30	571	14.7	6.1
16 X 6.50 - 8	TL	2	14	415	16.1	6.5
16 X 6.50 - 8	TL	4	28	615	16.2	6.3
18 X 8.50 - 8	TL	2	10	515	18.0	8.6
18 X 8.50 - 8	TL	4	22	815	18.1	8.7
18 X 8.50 - 8	TL	6	34	1047	18.5	8.9
18 X 9.50 - 8	TL	2	12	695	18.3	9.3
18 X 9.50 - 8	TL	4	24	1036	18.9	9.2
18 X 9.50 - 8	TL	6	36	1036	19.0	9.3
20 X 8.00 - 8	TL	2	10	560	19.5	9.0
20 X 8.00 - 8	TL	4	22	945	19.5	8.9
20 X 8.00 - 10	TL	2	12	595	19.7	8.2
20 X 8.00 - 10	TL	4	24	890	19.8	8.0
20 X 10.00 - 8	TL	2	10	750	20.5	10.2
20 X 10.00 - 8	TT	2	10	750	20.5	10.2
20 X 10.00 - 8	TL	4	22	1190	20.6	10.2
20 X 10.00 - 10	TL	2	10	735	20.1	8.9
20 X 10.00 - 10	TL	4	22	1165	20.2	9.6
23 X 8.50 - 12	TL	2	10	705	23.0	8.6
23 X 8.50 - 12	TL	4	22	1125	23.3	8.6
23 X 8.50 - 12	TL	6	34	1125	23.4	8.7
23 X 10.50 - 12	TL	2	10	890	22.7	10.4
23 X 10.50 - 12	TL	4	20	1345	22.9	10.3
26 X 12.00 - 12	TL	4	20	1780	25.5	12.0



TURF TECH

S TURF

TURFTECH

Size	Type	Ply	Max PSI	Load Capacity	Diameter	Width
16 X 6.50 - 8	TL	4	28	635	15.8	6.4
16 X 7.50 - 8	TL	4	24	716	16.1	7.0
18 X 8.50 - 8	TL	4	22	815	17.7	8.5
18 X 9.50 - 8	TL	4	24	1035	18.3	9.2
20 X 10.00 - 8	TL	4	22	1190	19.6	10.0
20 X 10.00 - 10	TL	4	22	1165	20.2	9.3
23 X 8.50 - 12	TL	4	22	1110	22.5	8.5
23 X 10.50 - 12	TL	4	20	1340	22.7	9.9
24 X 12.00 - 12	TL	4	20	1709	24.0	12.0
26 X 12.00 - 12	TL	4	22	1785	25.5	12.1

S TURF

Size	Type	Ply	Max PSI	Load Capacity	Diameter	Width
11 X 4.00 - 5	TL	2	22	210	10.6	3.9
11 X 4.00 - 5	TL	4	46	331	10.6	3.9
13 X 5.00 - 6	TL	2	20	295	12.6	4.6
13 X 5.00 - 6	TL	4	40	441	12.6	4.6
13 X 6.50 - 6	TL	2	14	310	12.8	6.0
13 X 6.50 - 6	TL	4	28	463	13.0	5.9
15 X 6.00 - 6	TL	2	14	365	14.2	6.0
15 X 6.00 - 6	TL	4	36	573	14.3	6.3
16 X 6.50 - 8	TL	2	14	420	15.9	6.4
16 X 6.50 - 8	TL	4	28	617	16.5	6.7
18 X 6.50 - 8	TL	2	14	515	17.8	6.6
18 X 6.50 - 8	TL	4	28	772	18.0	6.7
18 X 8.50 - 8	TL	2	10	515	17.7	8.2
18 X 8.50 - 8	TL	4	22	816	18.0	8.2
18 X 9.50 - 8	TL	2	12	705	17.7	9.0
18 X 9.50 - 8	TL	4	24	1036	18.0	9.1
20 X 10.00 - 8	TL	2	10	750	19.6	9.6
20 X 10.00 - 8	TL	4	22	1190	19.7	9.6
20 X 10.00 - 10	TL	2	10	735	20.7	9.5
20 X 10.00 - 10	TL	4	22	1168	20.3	9.3
23 X 8.50 - 12	TL	2	10	705	22.3	8.3
23 X 8.50 - 12	TL	4	22	1124	22.6	8.4
23 X 10.50 - 12	TL	2	10	890	22.7	10.3
23 X 10.50 - 12	TL	4	22	1345	23.0	10.2



SUPER TURF

TURF TRAXX

Size	Type	Ply	Max PSI	Load Capacity	Diameter	Width
4.10/3.50 - 4	TL	2	24	230	10.6	3.7
4.10/3.50 - 4	TL	4	50	352	10.7	3.7
11 X 4.00 - 4	TL	4	46	320	10.7	3.9
11 X 4.00 - 5	TL	4	46	325	10.9	3.9
13 X 5.00 - 6	TL	4	40	440	12.7	4.8
15 X 5.50 - 6	TL	4	30	570	14.4	5.4
15 X 6.00 - 6	TL	4	30	570	14.6	6.2
16 X 6.50 - 8	TL	4	28	620	15.7	7.0
16 X 7.50 - 8	TL	4	20	627	16.5	7.4
18 X 6.50 - 8	TL	4	28	770	17.8	6.7
18 X 7.50 - 8	TL	4	24	795	18.0	7.6
18 X 8.50 - 8	TL	4	22	815	17.8	8.5
18 X 8.50 - 8	TL	6	34	1050	17.6	8.7
18 X 9.50 - 8	TL	4	24	1040	16.2	9.4
20 X 10.00 - 8	TL	4	22	1190	19.7	9.8
20 X 10.00 - 10	TL	4	22	1168	19.7	9.7
23 X 8.50 - 12	TL	4	22	1120	22.6	8.4
23 X 8.50 - 12	TL	6	34	1445	22.7	8.5
23 X 9.50 - 12	TL	4	24	1375	23.6	9.7
23 X 10.50 - 12	TL	4	22	1340	22.8	10.4
24 X 12.00 - 12	TL	4	20	1705	23.4	11.8
26 X 12.00 - 12	TL	4	10	1185	25.8	12.8
26 X 12.00 - 12	TL	6	32	2350	25.9	12.8
26 X 12.00 - 12	TL	8	50	3050	26.3	12.6

TURF TRAXX

Size	Type	Ply	Max PSI	Load Capacity	Diameter	Width
18 X 8.50 - 8	TL	4	22	816	17.7	8.4
18 X 8.50 - 10	TL	4	22	827	18.2	8.1
24 X 12.00 - 12	TL	4	20	1709	24.0	12.0
26 X 12.00 - 12	TL	4	14	1786	25.6	12.0

Turf Traxx is a unique tread at Hoosier Wheel. Turf Traxx provides excellent features in a wide range of applications.



MOWKU TURF

SMOOTH

Size	Type	Ply	Max PSI	Load Capacity	Diameter	Width
13 X 5.00 - 6	TL	2	20	135	12.8	4.9
13 X 5.00 - 6	TL	4	40	200	12.8	4.9
15 X 6.00 - 6	TL	2	14	170	14.4	6.1
15 X 6.00 - 6	TL	4	30	260	14.4	6.1
16 X 6.50 - 8	TL	2	14	190	16.2	6.6
16 X 6.50 - 8	TL	4	28	280	16.2	6.6
18 X 8.50 - 8	TL	2	10	235	18.0	8.5
18 X 8.50 - 8	TL	4	22	370	18.0	8.5
18 X 9.50 - 8	TL	2	12	320	17.8	9.2
18 X 9.50 - 8	TL	4	24	470	17.8	9.2
20 X 10.00 - 8	TL	2	10	340	19.8	9.6
20 X 10.00 - 8	TL	4	22	540	19.8	9.6
20 X 8.00 - 10	TL	2	12	270	19.9	7.7
20 X 8.00 - 10	TL	4	24	405	19.9	7.7
20 X 10.00 - 10	TL	2	10	335	20.3	9.7
20 X 10.00 - 10	TL	4	22	530	20.3	9.7
23 X 8.50 - 12	TL	2	10	320	22.7	8.5
23 X 8.50 - 12	TL	4	22	510	22.7	8.5
23 X 8.50 - 12	TL	6	34	655	22.7	8.5
23 X 10.50 - 12	TL	2	10	405	23.2	10.6
23 X 10.50 - 12	TL	4	20	610	23.2	10.6
23 X 10.50 - 12	TL	6	32	800	23.2	10.6
24 X 12.00 - 12	TL	2	10	515	23.9	11.2
24 X 12.00 - 12	TL	4	20	775	23.9	11.2
24 X 12.00 - 12	TL	6	32	1015	23.9	11.2

SMOOTH

Size	Type	Ply	Max PSI	Load Capacity	Diameter	Width
2.80/2.50 - 4	TT	4	50	295	8.8	2.6
3.40/3.00 - 5	TT	4	50	265	10.7	3.8
4.10/3.50 - 4	TT	4	50	350	10.4	3.9
4.10/3.50 - 5	TT	4	50	380	11.4	4.0
4.10/3.50 - 6	TT	4	50	445	12.4	4.0
8 X 3.00 - 4	TL	4	30	125	8.1	2.7
8 X 3.00 - 4	TT	4	30	125	8.1	2.7
9 X 3.50 - 4	TL	2	30	218	8.7	3.5
9 X 3.50 - 4	TL	4	50	225	8.8	3.6
9 X 3.50 - 4	TT	4	50	225	8.8	3.6
11 X 4.00 - 5	TL	4	46	331	10.9	4.1
11 X 4.00 - 5	TT	4	46	331	11.2	4.1
12 X 6.00 - 6	TT	2	30	425	12.0	5.3
13 X 5.00 - 6	TL	4	40	440	12.8	4.8
13 X 6.50 - 6	TL	4	28	460	12.8	5.8



TRACTOR



SNOW

Size	Type	Ply	Max PSI	Load Capacity	Diameter	Width
3.25 - 5	TL	2	20	125	11.3	3.1
4.00 - 8	TL	4	31	497	16.8	4.2
4.10 - 6	TL	2	20	290	12.1	3.8
4.80/4.00 - 8	TL	2	17	240	16.4	4.6
4.80/4.00 - 8	TT	2	17	240	16.4	4.6
6 - 12	TL	4	28	600	22.7	6.1
6 - 14	TL	4	28	673	25.7	6.0
13 X 5.00 - 6	TL	2	20	295	13.0	4.7
13 X 5.00 - 6	TL	4	40	440	13.4	4.7
16 X 6.50 - 8	TL	4	28	673	25.7	6.0

SNOW

Size	Type	Ply	Max PSI	Load Capacity	Diameter	Width
4.10 - 4	TL	2	24	238	11.0	3.7
4.10 - 6	TL	2	24	287	12.8	4.1
4.80 - 8	TL	2	20	441	16.2	4.6
13 X 5.00 - 6	TL	2	20	298	13.0	4.7
15 X 5.00 - 6	TL	2	20	414	14.6	4.8

Sealant and Flat-Free Foam Filling
Sealant and Flat-Free Foam Filling is available upon customer request.



ALUMINUM DIE CAST

The Aluminum Die Cast rim is available if the following hub lengths:

2-1/2"	Symmetrical
3-1/2"	Symmetrical
3"	Offset

The following tires can be mounted on the Aluminum Die Cast rim:

Size	Tread
4.10/3.50 - 4	Sawtooth
4.10/3.50 - 4	Stud
4.00 - 4	Round Rib
4.10/3.50 - 4	Turf
8 X 3.00 - 4	Turf
4.10/3.50 - 4	Super Turf
4.10/3.50 - 4	Smooth
8 X 3.00 - 4	Smooth
9 X 3.50 - 4	Smooth
4.10 - 4	Snow
4.10/3.50 - 4	Urethane

Grease Fittings

Grease Fittings are available on most wheel assemblies.



Straight



45 Degree



90 Degree



TUBES

Size

2.80/2.50 - 4
 4.00 - 6
 4.00 - 8
 4.10/3.50 - 4
 4.10/3.50 - 4
 4.10/3.50 - 4
 4.10/3.50 - 6
 4.10/3.50 - 6
 9 X 3.50 - 4
 13 X 5.00 - 6
 15 X 6.00 - 6
 16 X 6.50 - 8
 18 X 8.50 - 8
 20 X 8.00 - 8

Valve Stem

JS87P
 TR13
 TR13
 TR87
 JS87P
 TR13
 TR87
 TR13
 TR13
 JS87P
 TR13
 TR87
 TR13
 TR13
 TR13



TR87

TR13

JS87P

HOW TO ORDER FROM HOOSIER WHEEL

Company Name: _____

Address: _____

City/State/Zip: _____

Phone Number: _____

Fax Number: _____

Contact Name: _____

Contact E-Mail: _____



Pneumatics

Dimension		Reference	
	Wheel Style	Pages 9 - 10	
"A"	Wheel Diameter	Pages 9 - 10	
"B"	Tread Width	Pages 9 - 10	
	Tread Design	Pages 7, 11-17	
"C"	Bore Size	Pages 9 - 10	
	Bearing Type	Pages 1-2	
"D"	Hub Width	Pages 9 - 10	
"E"	Offset or Symmetrical	Pages 9 - 10	
"F"	Rim Size	Pages 9 - 10	
"G"	Bolt Hole Circle (if any)	Pages 9 - 10	
"H"	Pilot Hole Circle (if any)	Pages 9 - 10	
	Wheel Color		
	Tubeless or Tube Type	Pages 11 - 17	
	Ply Rating (2 ply or 4 ply)	Pages 11 - 17	
	EAU/Release Quantity		

To receive a quote, please send the completed form to Hoosier Wheel using one of the following:

Fax: 1-812-421-6908
 E-Mail: sales@hoosierwheel.com
 Phone: 1-877-206-4762

Address:
 Hoosier Wheel & Stamping
 P.O. Box 6447
 Evansville, IN 47719



Hoosier Wheel & Stamping
P.O.Box 6447
Evansville, IN 47719
1-812-421-6900
Toll Free: 1-877-206-4762
www.hoosierwheel.com
ISO 9001:2000